

MICRO SWITCH
a Honeywell Division

FED. MFG. CODE 91929

SWITCH-ENCLOSED

CATALOG LISTING

BFL1-AW2

BFL1-AW2

CATALOG LISTING

M
ISSUE 1

REVISIONS

CHECK

SAV

CHECK

3D

DRAWN

TRF

REPLACES

PAGE 1 OF 1
RELEASE NO. 203802

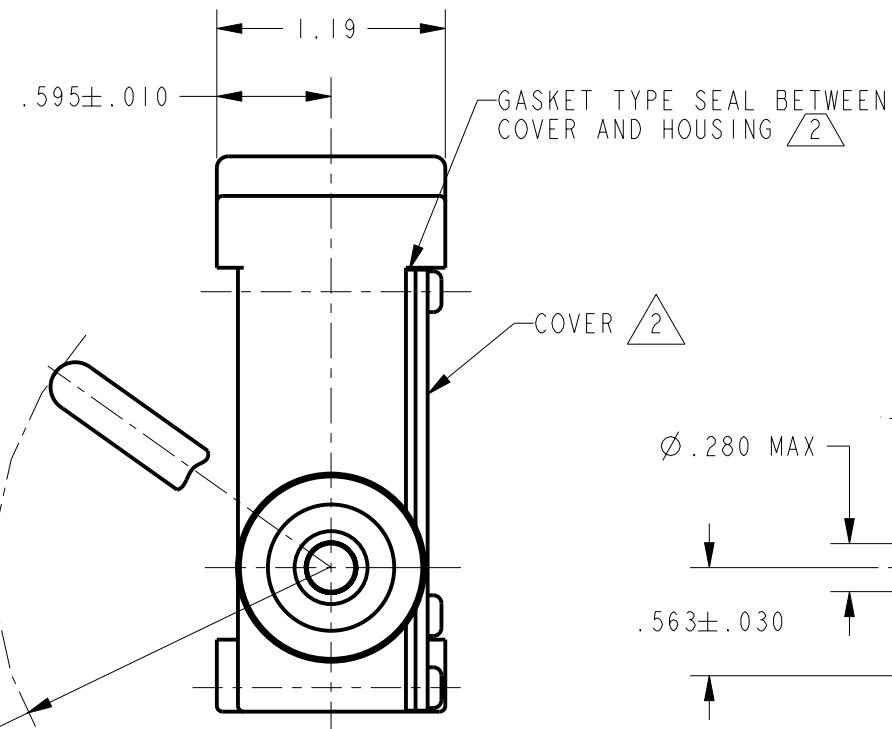
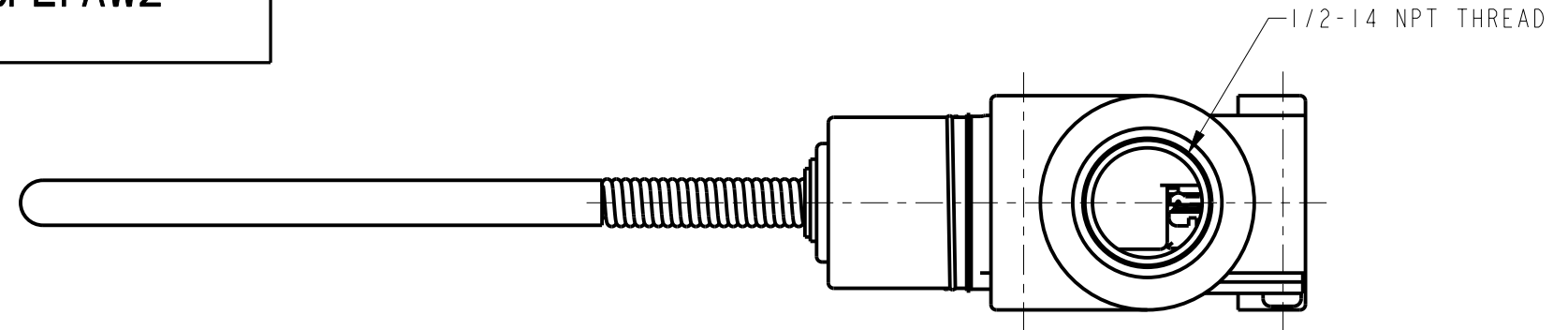
CHECK

CHECK

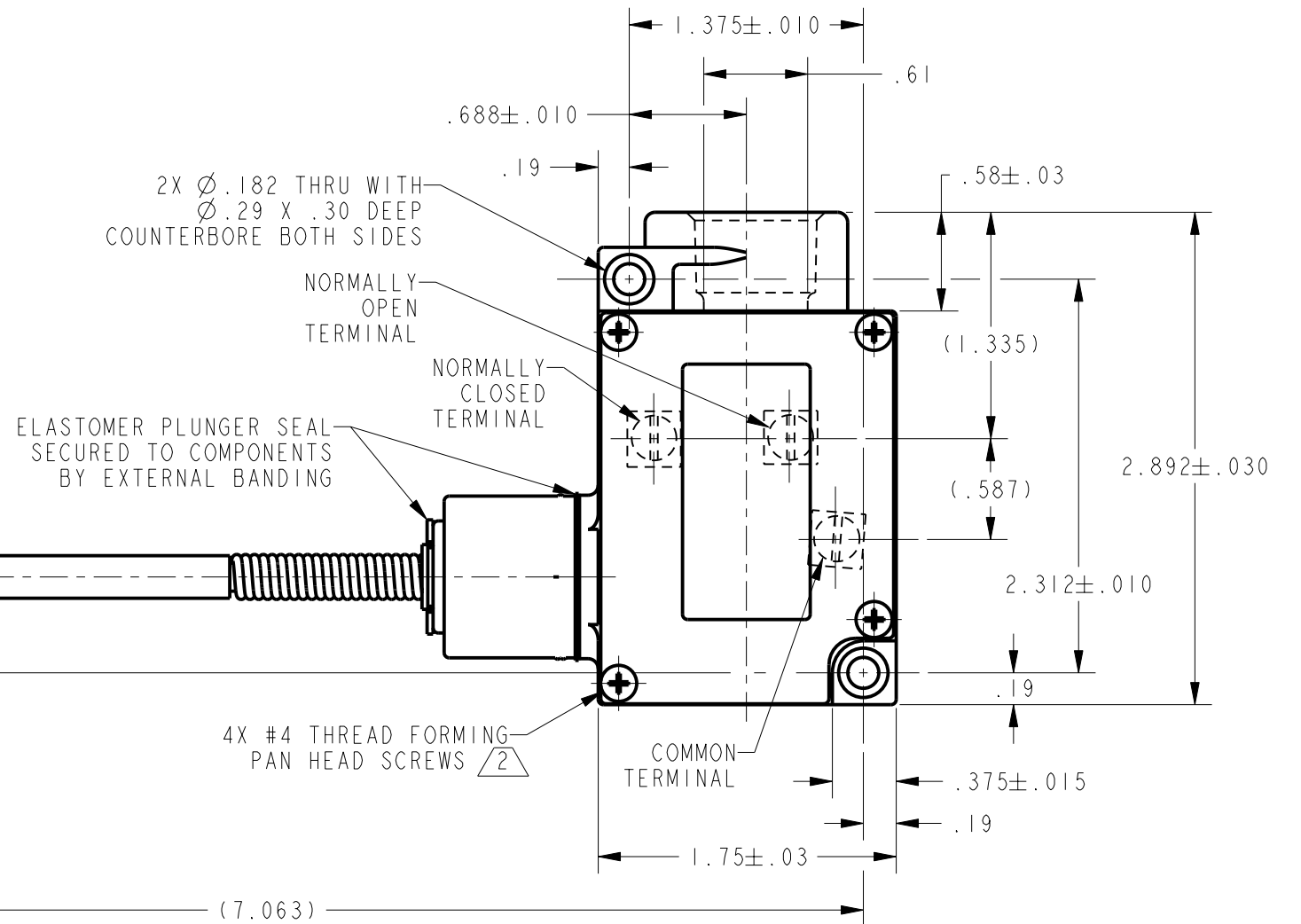
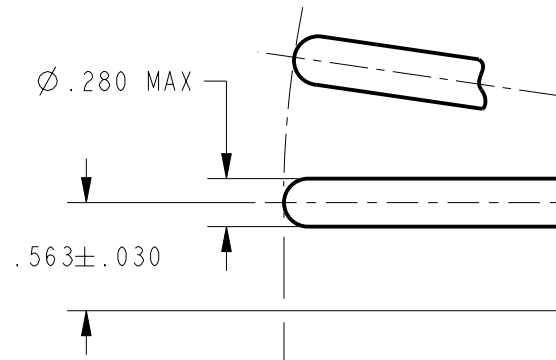
SAV

CHECK

DRAWN



SWITCH WILL OPERATE BY MOVING ACTUATOR IN ANY DIRECTION EXCEPT DIRECT PULL



THIS DRAWING COVERS A PROPRIETARY ITEM AND IS THE PROPERTY OF MICRO SWITCH, A DIVISION OF HONEYWELL. THIS DRAWING IS NOT TO BE COPIED OR USED WITHOUT THE APPROVAL OF MICRO SWITCH

CHARACTERISTICS
OPERATING POSITION 15° MAX
OPERATING FORCE 7 OZ MAX

ELECTRICAL DATA
CONTACT ARRANGEMENT S P D T

L162
5A 125, 250, 277 VAC
1/10HP 250 VAC

THIRD ANGLE PROJECTION	
SCALE	FULL
DO NOT SCALE PRINT	
UNLESS OTHERWISE SPECIFIED TOLERANCES ARE	
ONE PLACE	(.0) ±.030
TWO PLACE	(.00) ±.015
THREE PLACE	(.000) ±.005
ANGLES	±
WEIGHT	

NOTES
1 - 3X 6-32 UNC PRESSURE PLATE TERMINAL SCREWS
2 - FURNISHED UNASSEMBLED

ANSI Y14.5M-1982 APPLIES